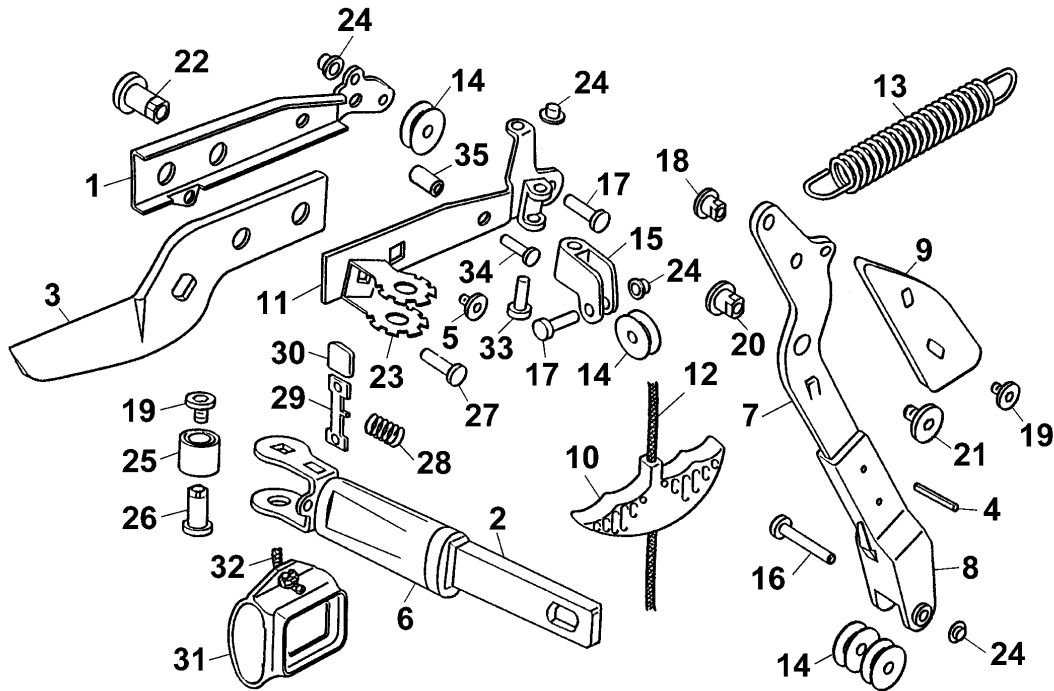


**D** Profi-Baumschere RC-VM / OR-VM (F)

**GB** Professional Lopper RC-VM / OR-VM (F)



**Profi-Baumschere RC-VM / OR-VM (F)**  
**Professional Lopper RC-VM / OR-VM (F)**

| Bild-Nr. /<br>Ref. No. | Best.-Nr. /<br>Part No. | Bezeichnung                  | Description                 |
|------------------------|-------------------------|------------------------------|-----------------------------|
| 1                      | 7204 200                | U-Angel                      | U-angle                     |
| 2                      | 7204 013                | Lagergabel kpl.              | link compl.                 |
| 3                      | 7270 400                | Messerhebel - beschichtet    | blade lever - coated        |
| 4                      | 0018 836                | Spannstift DIN 1481 6x14     | dowel pin DIN 1481 6x14     |
| 5                      | 7270 201                | Ambossschraube M6            | anvil screw M6              |
| 6                      | 1315 101                | Manschette                   | collar                      |
| ***                    | 7204 100                | Griffschale oben, rot        | upper grip shell, red       |
| ***                    | 7204 101                | Griffschale unten, rot       | lower grip shell, red       |
| ***                    | 7204 012                | Lagergabel mit Anschlagstück | link compl. with limit stop |
| 7                      | 7200 401                | Ambosshebel                  | anvil lever                 |
| 8                      | 7200 100                | Hebeltasche                  | plastic pocket              |
| 9                      | 7273 060                | Amboss                       | anvil                       |
| 10                     | 5702 105                | Ziehgriff                    | grip                        |
| 11                     | 7200 206                | Blech-Angel                  | sheet metal angle           |
| 12                     | 7201 101                | Seilzug                      | tackle line                 |
| 13                     | 7204 201                | Zugfeder                     | tension spring              |
| 14                     | 7201 203                | Kunststoffrolle              | plastic roll                |
| 15                     | 7200 201                | Rollenträger                 | roll holder                 |
| 16                     | 0018 106                | Bolzen 11x38 DIN 1444-St     | bolt 11x38 DIN 1444-St      |
| 17                     | 0018 101                | Bolzen A11x20 DIN 1444-St    | bolt A11x20 DIN 1444-St     |
| 18                     | 7270 200                | Ambosshülse                  | anvil shell                 |
| 19                     | 7270 201                | Ambossschraube M6            | anvil screw M6              |
| 20                     | 7252 202                | Gelenkhülse                  | link shell                  |
| 21                     | 7252 201                | Schraube M8                  | screw M8                    |
| 22                     | 7280 200                | Gelenkmutter M6              | link nut M6                 |
| 23                     | 7200 205                | Rastlagergabel               | connector for link          |
| 24                     | 7082 503                | Achskappe                    | hub cap                     |
| 25                     | 7200 209                | Distanzhülse                 | spacer                      |
| 26                     | 7200 200                | Gelenkhülse M6x31            | link shell M6x31            |
| 27                     | 7211 210                | Flachrundniet                | rivet                       |
| 28                     | 7081 228                | Druckfeder                   | compression spring          |
| 29                     | 7200 202                | Riegel                       | locking bar                 |
| 30                     | 7200 207                | Kappe - gelb                 | cap - yellow                |
| 31                     | 7201 300                | Sicherungshülse              | safety shell                |
| 32                     | 7231 217                | Schnur - rot                 | cord - red                  |
| 33                     | 0018 105                | Bolzen 11x27                 | bolt 11x27                  |
| 34                     | 7200 211                | Flachrundniet 6,3x22,2       | rivet 6,3x22,2              |
| 35                     | 7200 212                | Distanzbuchse Ø 9x13,2       | spacer 9x13,2 diameter      |