

## Premio 46 B

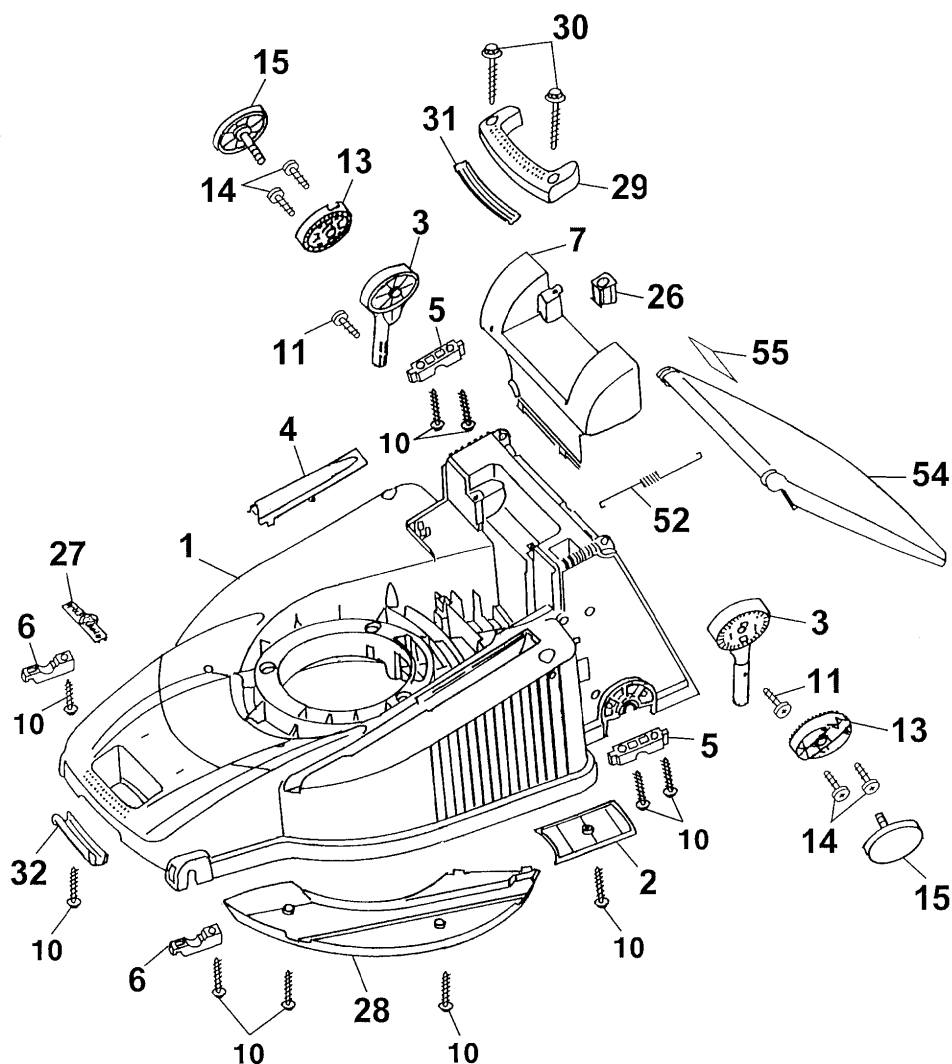
### Ausstattung Benzinmäher / Equipment Petrol-mowers

|                                      |  |
|--------------------------------------|--|
| Typ / Kurzbez. / order code          | WOLF Premio 46 B   |
| Ausführung für / version for         | International  |
| Geräte - Nr. / article number        | 4611000  |
| Schnittbreite / cutting width        | 46 cm  |
| Chassismaterial / chassis            | Kunststoff / high-quality plastic  |
| Gewicht / weight                     | 27 kg  |
| Lautstärke / noise level             | 96 dB (A)  |
| Ø Rad vorne / Ø wheel in the front/  | 17 cm / Ø diameter   |
| Ø Rad hinten / Ø wheel at the back/  | 20 cm / Ø diameter   |
| Ausführung Räder / version wheels    | Soft, Kugellager / soft, ball bearing  |
| Höhenverstellung / height adjustment | zentral, 5-fach / central, five-fold   |
| Schnitthöhe (cm) / cutting height    | 2,5 cm - 7,2 cm  |
| Antrieb ja/nein / drive yes /no      | nein / no  |
| Motor - Hersteller / motor producer  | Briggs & Stratton  |
| Motor-Modell / motor-type            | Quantum XTE 50, Einzelteile Motor s. Modell 6.42 BA, 4722580, Serie C / for spare parts refer to model 6.42 BA, 4722580, series C                          |
| Spezifikation / specification        | 12 F 802-1158-01   |
| Motor - Nr. WOLF / motor-number      | 2069050  |
| max. Leistung / maximum power        | 3,7 kW (5,0 PS)  |
| Nennleistung / nominal capacity      | 3,1 kW (4,2 PS)  |
| Zündkerze / spark plug               | Champion RJ 19 LM  |
| Griffgestänge / handlebar            | Klappgriff, Höhenverstellung, Holmstart / folding handlebar, height adjustment, bar start  |
| Fangkorb / collector box             | 56L, Füllstandsanzeige / grassbox fill indicator, Ersatzteile s. Modell Premio 40 B, 4011 000, A / for spare parts refer to model Premio 40 B, 4011 000, A |

L12

Ⓓ Premio 46 B 4611 000 Chassis

ⒼⒷ Premio 46 B 4611 000 Chassis



L13

## Premio 46 B Chassis

| Bild-Nr. /<br>Ref. No. | Best.-Nr. /<br>Part No. | Bezeichnung                   | description                    |
|------------------------|-------------------------|-------------------------------|--------------------------------|
| 1                      | 4601 300                | Chassis                       | chassis                        |
| 2                      | 4961 324                | Keilriemenabdeckung           | v-belt cover                   |
| 3                      | 4950 030                | Griffhalter (2 St¼ck)         | handlebar fixing (2 pieces)    |
| 4                      | 4601 315                | Hutze                         | cover                          |
| 5                      | 4961 313                | St¼tzschale, hinten (2 St¼ck) | rear support shell (2 pieces)  |
| 6                      | 4961 312                | St¼tzschale, vorne (2 St¼ck)  | front support shell (2 pieces) |
| 7                      | 4601 310                | Chassisabdeckung              | chassis cover                  |
| 8                      | 0012 631                | Schraube (10 St¼ck)           | screw (10 pieces)              |
| 11                     | 0010 931                | Schraube (2 St¼ck)            | screw (2 pieces)               |
| 13                     | 4950 126                | Verstellring (2 St¼ck)        | variable ring (2 pieces)       |
| 14                     | 0010 933                | Schraube (4 St¼ck)            | screw (4 pieces)               |
| 15                     | 4950 010                | Handrad (2 St¼ck)             | handwheel (2 pieces)           |
| 26                     | 4961 304                | Knopf                         | button                         |
| 27                     | 0051 115                | WOLF-Garten Marke             | WOLF-Garten label              |
| 28                     | 4601 311                | Windkanalabdeckung            | wind tunnel cover              |
| 29                     | 4601 303                | Tragegriff, hinten            | rear carrying handle           |
| 30                     | 0012 639                | Schraube (2 St¼ck)            | screw (2 pieces)               |
| 31                     | 4601 308                | Griffschale, hinten           | rear handle spill              |
| 32                     | 4601 309                | Griffschale, vorne            | front handle spill             |
| 52                     | 4961 106                | Zugfeder                      | tension spring                 |
| 54                     | 4628 302                | Schutzklappe (rot)            | rear flap (red)                |
| 55                     | 0051 224                | Sicherheitsetikett/Pictogramm | safety label                   |

L14

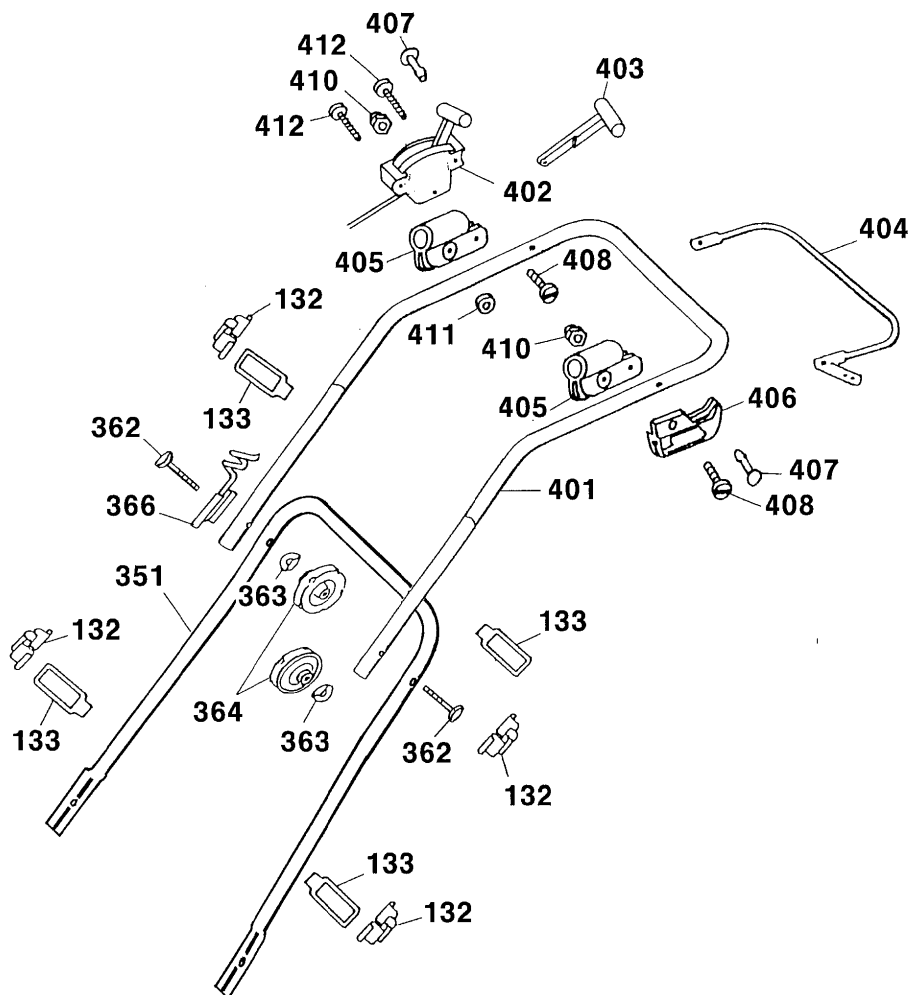


**Premio 46 B Achse, RÄ¶der, H¶henverstellung**  
**Premio 46 B axle, wheels, height-adjustment**

| Bild-Nr. /<br>Ref. No. | Best.-Nr. /<br>Part No. | Bezeichnung                   | description                      |
|------------------------|-------------------------|-------------------------------|----------------------------------|
| 9                      | 4961 512                | Rasthebel                     | lock lever                       |
| 11                     | 0010 931                | Schraube (4St¼ck)             | screw (4 pieces)                 |
| 12                     | 4001 110                | F¼hrung                       | guiding                          |
| 17                     | 0018 878                | Spannstift                    | dowel pin                        |
| 18                     | 4961 514                | Zugfeder                      | tension spring                   |
| 19                     | 4961 107                | Zugfeder Verbindungsstange    | tension spring connecting rod    |
| 20                     | 4601 020                | Verbindungsstange             | connecting rod                   |
| 22                     | 0020 981                | SL-Sicherung (2 St¼ck)        | retaining clip (2 pieces)        |
| 23                     | 4601 306                | H¶henanzeiger                 | height-position indicator        |
| 250                    | 0017 112                | Scheibe (4 St¼ck)             | washer (4 pieces)                |
| 251                    | 6440 050                | Rad 170 mm Ø (2 St¼ck)        | wheel 170 mm Ø (2 pieces)        |
| 252                    | 6440 051                | Rad 200 mm Ø (2 St¼ck)        | wheel 200 mm Ø (2 pieces)        |
| ***                    | 6340 516                | Kugellager, Stahl (2 St./Rad) | ball bearing, steel (2 p./wheel) |
| 253                    | 0020 700                | Schnellbefestiger (4 St¼ck)   | quick-fixing device (4 pieces)   |
| 254                    | 6450 520                | Radkappe 170 mm Ø (2 St.)     | hub cap 170 mm Ø (2 pieces)      |
| 255                    | 6450 530                | Radkappe 200 mm Ø (2 St.)     | hub cap 200 mm Ø (2 pieces)      |
| 301                    | 4961 011                | Achse (2 St¼ck)               | axle (2 pieces)                  |

L16

- Ⓓ Premio 46 B 4611 000 Griff kpl.
- ⒼⒷ Premio 46 B 4611 000 handlebar compl.



L17

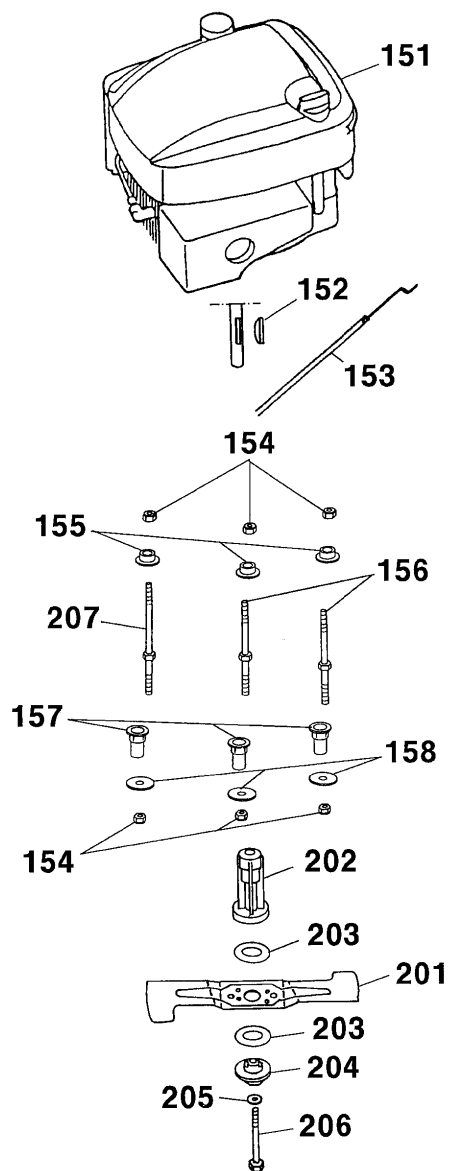
**Premio 46 B Griff kpl.**

**Premio 46 B handlebar compl.**

| Bild-Nr. /<br>Ref. No. | Best.-Nr. /<br>Part No. | Bezeichnung                  | description                   |
|------------------------|-------------------------|------------------------------|-------------------------------|
| 132                    | 6340 312                | Klammer (4 Stück)            | clamp (4 pieces)              |
| 133                    | 6340 314                | Schlaufe (4 Stück)           | strap (4 pieces)              |
| 351                    | 4628 120                | Griffunterteil               | lower handlebar               |
| 362                    | 4901 101                | Verbindungsschraube (2 St.)  | binding screw (2 pieces)      |
| 363                    | 0017 275                | Hohlscheibe (2 Stück)        | hollow disk (2 pieces)        |
| 364                    | 4936 022                | Handrad                      | handwheel                     |
| 366                    | 6340 014                | Seilführung                  | routing                       |
| 401                    | 4820 023                | Griffoberteil                | upper handlebar               |
| 402                    | 4011 055                | Schaltgehäuse m. Bowdenz.    | case with bowden wire         |
| 403                    | 4011 040                | Verstellhebel                | adjusting lever               |
| ***                    | 4011 054                | Bowdenzug o. Schaltgehäuse   | bowden wire without case      |
| ***                    | 6450 325                | Schaltgehäuse, rechts        | case, right                   |
| ***                    | 6450 326                | Schaltgehäuse, links         | case, left                    |
| 404                    | 4001 013                | Bremshebel                   | brake lever                   |
| 405                    | 4720 105                | Schelle (2 Stück)            | clamp (2 pieces)              |
| 406                    | 4760 106                | Stütze                       | support                       |
| 407                    | 4720 109                | Bolzen (2 Stück)             | bolt (2 pieces)               |
| 408                    | 0012 211                | Zylinderschraube (2 Stück)   | screw (2 pieces)              |
| 410                    | 0016 641                | Hutmutter (2 Stück)          | nut (2 pieces)                |
| 411                    | 4240 205                | Distanzscheibe               | washer                        |
| 412                    | 0012 886                | PT-Schraube (2 Stück)        | screw (2 pieces)              |
| ***                    | 0054 165                | Gebrauchsanweisung           | operator instructions         |
| ***                    | 4011 025                | Polybeutel mit Gebrauchsanw. | poly bag with operator instr. |

L18

- Ⓓ Premio 46 B 4611 000 Motor, Messer
- ⒼⒷ Premio 46 B 4611 000 motor, blade



L19



**Premio 46 B Motor, Messer**  
**Premio 46 B motor, blade**

| Bild-Nr. /<br>Ref. No. | Best.-Nr. /<br>Part No. | Bezeichnung              | description              |
|------------------------|-------------------------|--------------------------|--------------------------|
| 151                    | 2069 050                | Motor Briggs & Stratton  | motor Briggs & Stratton  |
| 152                    | 0029 130                | Scheibenfeder            | woodruff key             |
| 153                    | 4005 058                | Bowdenzug Bremse         | bowden wire brake        |
| 154                    | 0016 312                | 6-kt. Mutter (6 St¼ck)   | nut (6 pieces)           |
| 155                    | 4001 172                | Motorbuchse (3 St¼ck)    | motor bush (3 pieces)    |
| 156                    | 4001 170                | Stehbolzen (2 St¼ck)     | stud bolt (2 pieces)     |
| 157                    | 4601 312                | Distanzh¼lse (3 St¼ck)   | distance bush (3 pieces) |
| 158                    | 0017 111                | Scheibe (3 St¼ck)        | washer (3 pieces)        |
| 201                    | 4601 095                | Messer                   | blade                    |
| 202                    | 4601 402                | Kupplungsbuchse          | coupling                 |
| 203                    | 6450 403                | Kupplungsbelag (2 St¼ck) | clutch facing (2 pieces) |
| 204                    | 4840 402                | Kupplungsscheibe         | coupling disc            |
| 205                    | 0017 105                | Spannscheibe             | strain washer            |
| 206                    | 0010 264                | 6-kt.Schraube            | screw                    |
| 207                    | 4001 171                | Stehbolzen, gro         | stud bolt, big           |

L20